

溫度/濕度信號傳送器(SUS 304 PROB)

(TEMPERATURE & HUMIDITY SIGNAL TRANSMITTER)(SUS 304 PROB)

**MODEL
SHT-2**



■特點(FEATURES)

- 精確度 $\pm 0.15^{\circ}\text{C}$ (溫度), $\pm 1\% \text{RH}$ (濕度) (Accuracy $\pm 0.15^{\circ}\text{C}$ (Temperature), $\pm 1\% \text{RH}$ (Humidity))
- 測量範圍 $-40 \sim +80^{\circ}\text{C}$ (溫度), $0 \sim 100\% \text{RH}$ (濕度)
(Measuring $-40 \sim +80^{\circ}\text{C}$ (Temperature), $0 \sim 100\% \text{RH}$ (Humidity))
- 超快速反應速度20秒內(0~90%在空氣流速 $>1.0\text{M/s}$)
(Response time within 20 second (0~90% at 1.0M/s air flow))
- 寬範圍電源輸入.直流10至28伏特(Field-rangeable supply voltage from DC10 to 28V)
- 適用於耐腐蝕(酸性和鹼性)環境(Suitable for corrosion resistant(acidic and alkaline environments))
- 兩組12 BIT類比輸出功能(Two 12 DAC analog output function)(option)
- 數位RS-485界面(Digit RS-485 interface function)(option)
- 雙防水處理(Double waterproof treatment)
- 防護等級NEMA 4/IP65(Protection class NEMA 4/IP65)

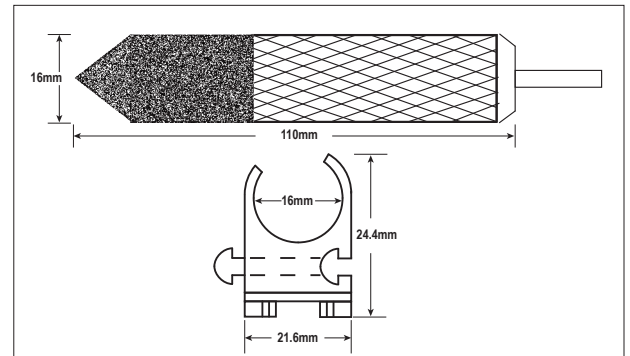
1. MODEL: SHT2-
(選購型號)

NO	Temperature/Humidity input type	NO	Output Type	NO	Output Cable Length
1	0~50°C/0~100%RH	V	DC1~5Vx2	A	1.8M(standard)
2	0~80°C/0~100%RH	R	RS-485	B	Customer specified
3	-20~80°C/0~100%RH	O	SPECIFIED		
4	-40~80°C/0~100%RH				*4 cond. + shield #28AWG, PVC
9	SPECIFIED				

2. SPECIFICATION (主要規格)

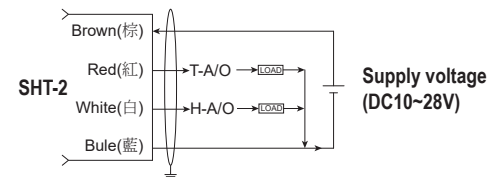
- Supply voltage (輔助電源): DC10~28V (<25mA) (Analog output)
DC10~28V (<10mA) (RS-485 output)
- Measuring accuracy (精確度) (23 $\pm 5^{\circ}\text{C}$): $\pm 1\% \text{RH}$ (10~80%RH) (Humidity)
 $\pm 1.5\% \text{RH}$ (10~90%RH) (Humidity)
 $\pm 2\% \text{RH}$ (0~10%RH & 90~100%RH) (Humidity)
 $\pm 0.15^{\circ}\text{C}$ (0~+50 $^{\circ}\text{C}$) (Temperature)
 $\pm 0.3^{\circ}\text{C}$ (-40~0 $^{\circ}\text{C}$ & +50~+80 $^{\circ}\text{C}$) (Temperature)
- Response time (輸出反應時間): 20 second (0~90% at 1M/s air flow)
- Output load capability (輸出負載能力): <10mA for voltage output mode
- Output ripple (輸出漣波): <0.05% F.S.
- RS-485 address (通訊位址): "00" ~ "FF" (0~255)
- RS-485 baud rate (傳輸速度): :38400/19200/9600/4800/2400 selective
- RS-485 protocol (通信協議): :Modbus RTU mode
- Repeatability (重複性): $\pm 0.04\% \text{RH}$ (Humidity)
 $\pm 0.08\% \text{RH}$ (Temperature)
- Long-term drift (長時間穩定度): $\pm 0.2\% \text{RH}/\text{Year}$ (Humidity)
 $\pm 0.03^{\circ}\text{C}/\text{Year}$ (Temperature)
- Dielectric strength (絕緣耐壓能力): :2KVac/1 min. (output/case)
- Operating Storage temperature (使用/存放環境溫度): : -40~80 $^{\circ}\text{C}$ (0 to 100% RH non-condensed)
- Case materials (外殼材料): :PE (Ontolog)
Stainless steel I.430I(SUS304)(Filter Probe)
NYLON 66 fire rating 94V-2(cable gland)
- Construction (安裝方式): :PE material clip-on mount
- CE EMC Certification (CE 認證): :EN 55022:1998/A1:2000 Class A
EN 61000-3-2:2000
EN 61000-3-3:1995/A1:2001
EN55024:1998/A1:2001

3. DIMENSION AND MOUNT (unit:mm) (外型尺寸和安裝座)

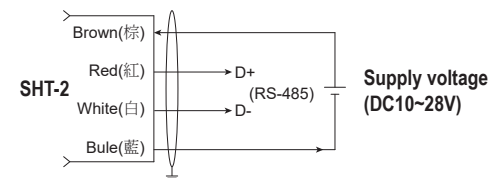


4. TERMINAL CONNECTION (接線圖)

• Analog output type (DC1~5V)

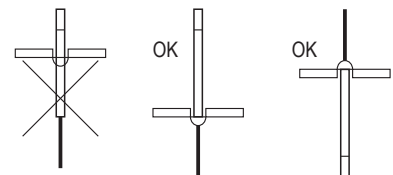


• RS-485 output type



5. INSTALLATION METHOD (安裝方式)

• Installation in the air



• Installation in pipe

